



Foam-Control®

---

**R-SHIELD**

**WEATHER RESISTIVE  
BARRIERS  
CONSTRUCTION MANUAL**

Note: Information deemed reliable at time of printing.  
Please visit [www.foam-control.com](http://www.foam-control.com) for the latest information.



# WEATHER RESISTIVE BARRIER CONSTRUCTION MANUAL

When you choose Foam-Control® R-SHIELD®, you're collaborating with a team of experts who work with you every step of the way. We're here to answer your questions, solve your problems, and do everything we can to make sure your project proceeds smoothly—and ends successfully.

Foam-Control R-SHIELD products are manufactured by a network of licensed manufacturers throughout North America and the world. Foam-Control R-SHIELD licensed facilities adhere to strict, consistent standards to ensure high-quality.

This network allows us to offer architects, designers and builders the best of both worlds: the resources of the country's largest provider of Foam-Control products and systems, and the superior attention and customer service of a local supplier.

**Note:** Information deemed reliable at time of printing. Please visit [www.foam-control.com](http://www.foam-control.com) for the latest information. January 2019.

# Table of Contents

## Foam-Control R-SHIELD®

---

### Details

Vertical Application: Fastening . . . . .	WRB-101.1
Vertical Application: Taping of Joints . . . . .	WRB-101.2
Horizontal Application: Fastening . . . . .	WRB-101.3
Horizontal Application: Taping of Joints . . . . .	WRB-101.4
Termination at Foundation . . . . .	WRB-102.1
Termination at Soffit . . . . .	WRB-102.2
Wall/Roof Termination . . . . .	WRB-102.3
Wall Penetration . . . . .	WRB-102.4
Window Installation . . . . .	WRB-103.1
Window Sill . . . . .	WRB-103.2
Window Head . . . . .	WRB-103.3
Window Jamb . . . . .	WRB-103.4
Door Head . . . . .	WRB-104.1
Door Jamb . . . . .	WRB-104.2
T&G Joint . . . . .	WRB-105.1

# General Recommendations

---

## Foam-Control R-SHIELD Sizes

Foam-Control R-SHIELD is made in fanfold and board configurations in a variety of sizes. Boards are most commonly 4' x 8'. Consult the local Foam-Control R-SHIELD Manufacturer for sizes, thicknesses, and fabrication services available in your area.

---

## Environmentally Safe

The core material for Foam-Control R-SHIELD, Foam-Control EPS, contains no CFCs, HCFCs, HFCs or formaldehyde and is recyclable. Foam-Control EPS is inert, non-nutritive and highly stable. Your Foam-Control R-SHIELD Manufacturer encourages you to support recycling and energy conservation.

---

## Warranty

Foam-Control R-SHIELD Manufacturers provide a 50-year warranty covering thermal performance. Contact the local Foam-Control R-SHIELD manufacturer for details regarding the warranty program.

---

## Handling - Storage - Protection

Foam-Control R-SHIELD should be stored in a fully supported manner and protected from weather. Cover stored Foam-Control R-SHIELD with tarps or similar protective wraps. After installing Foam-Control R-SHIELD, apply wall cladding when immediately practical.

Expanded Polystyrene (EPS) contains a flame retardant additive. However, the EPS should be considered combustible and used with code approved thermal barriers and should not be stored near any open flame or source of ignition. Do not install or use EPS with coal-tar pitch or highly solvent extended mastics, adhesives or sealants. Consult the local Foam-Control R-SHIELD Manufacturer for suggested adhesives, sealants, and assembly specifications not otherwise detailed in this manual.

## General Recommendations - cont'd

---

### Joins, Penetrations, Fasteners

At Foam-Control R-SHIELD board joints and fastener heads, apply Foam-Control R-SHIELD Tape.

Install termination fixtures as required.

Install flashing for penetrations as required.

---

### Special Treatments

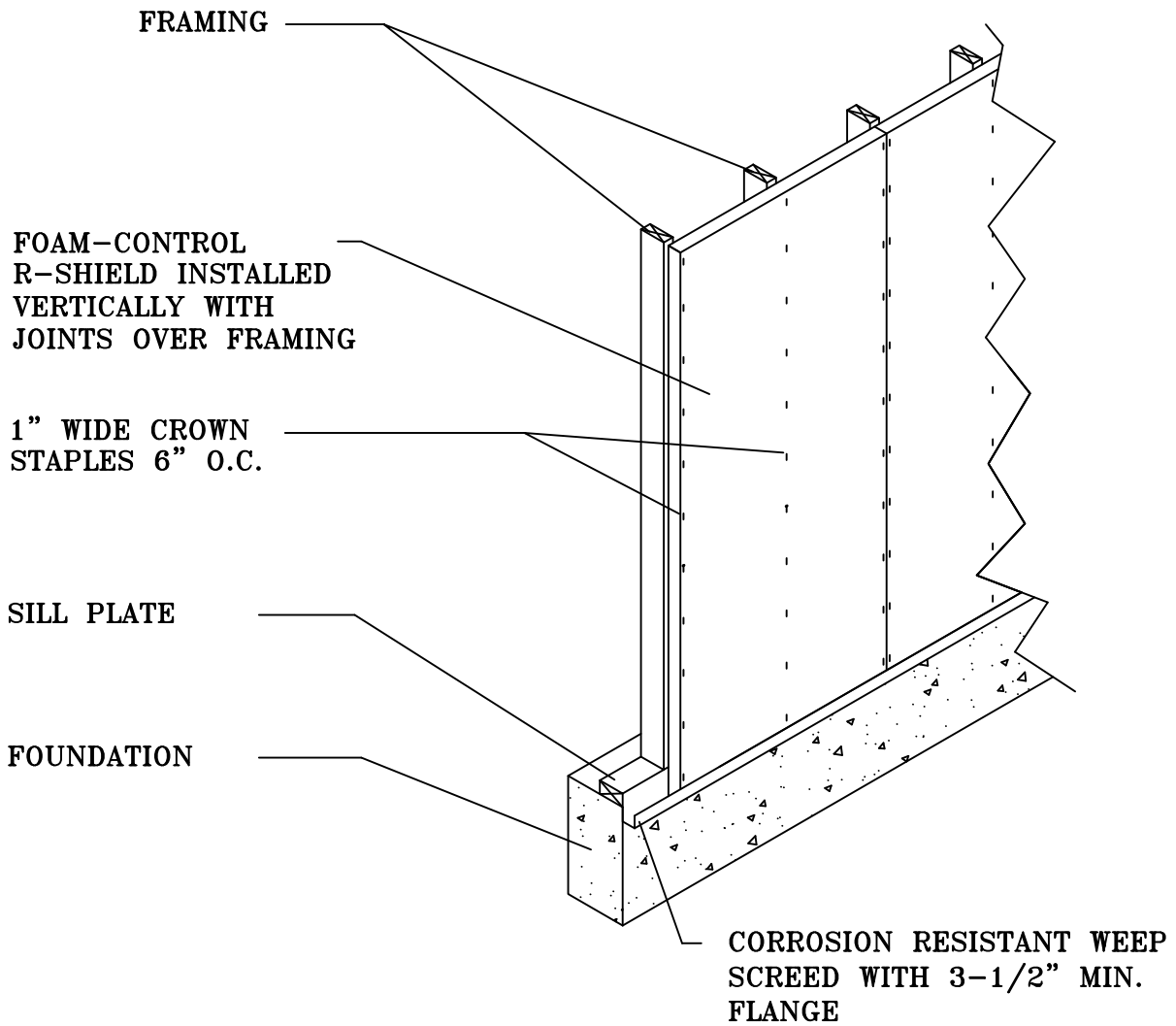
Foam plastic insulations have been shown to become termite infested under certain exposure conditions. Foam-Control R-SHIELD with Perform Guard® is available and provides resistance to termite infestation. Please contact your Foam-Control supplier for availability and complete information.

 **Perform Guard®**

---

### Disclaimer

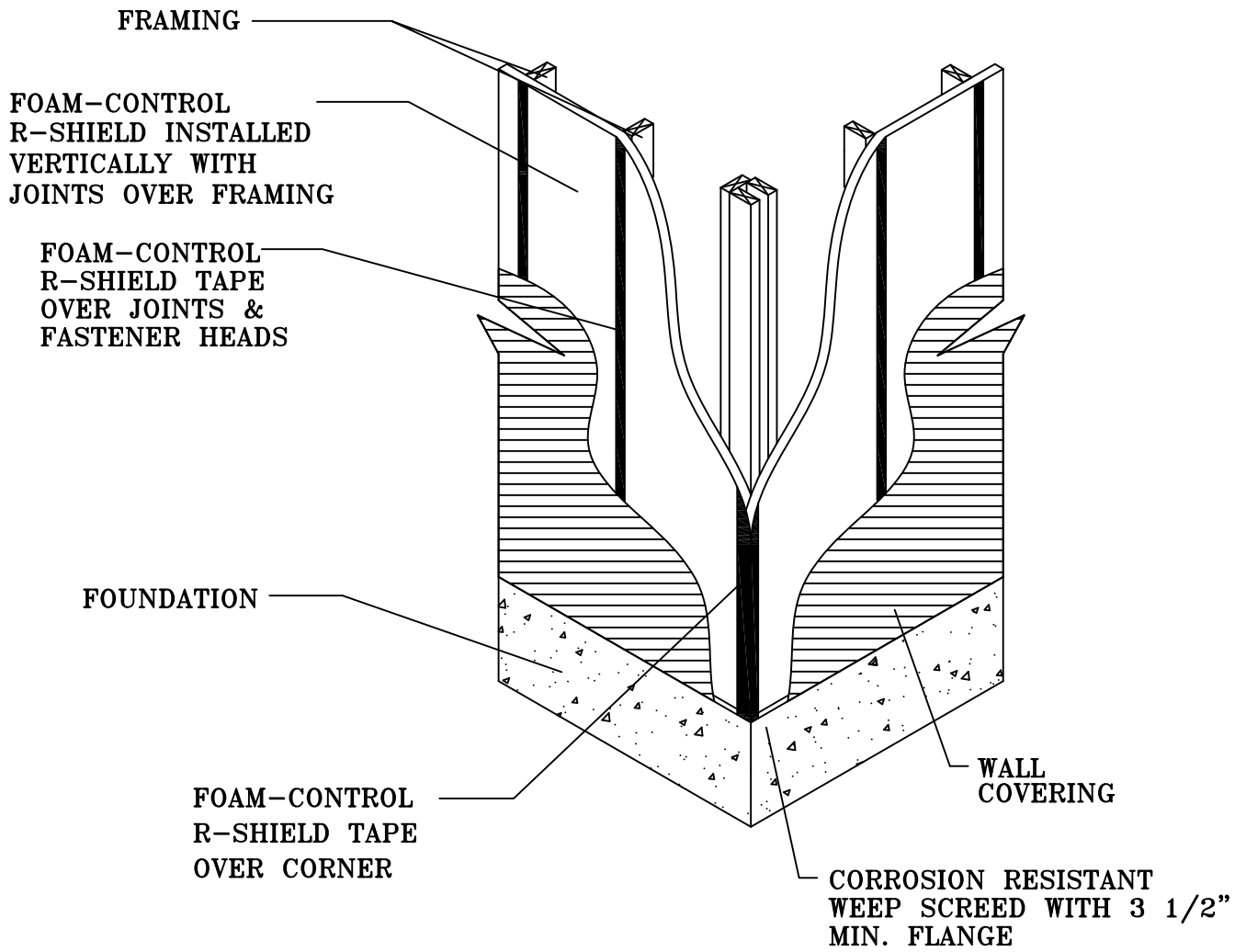
Details, illustrations, pictures and guidelines provided herein give basic information and illustrate examples of Foam-Control R-SHIELD installation. The basic information provided herein is not intended to cover every potential use and application of Foam-Control R-SHIELD. It is the responsibility of the installer to become familiar with his specific application and determine if Foam-Control R-SHIELD is suitable. By commencing work, the installer accepts full responsibility for the proper and safe installation of Foam-Control R-SHIELD at his job site. Adding an insulation component may change the behavior of a wall assembly with regard to air movement, water vapor transmittance, bulk water management and heating, cooling and ventilation systems. It is the responsibility of the owner or the owner's representative to design the insulated wall assembly to perform in a manner ensuring function and durability. Furthermore, it is the sole responsibility of the installer to meet all federal and local regulatory requirements for job site safety for himself, his workers and any others on the job site while in the execution of all phases of Foam-Control R-SHIELD installation.



REV:	DATE:
1	01/18

Foam-Control R-SHIELD  
 Vertical Application: Fastening

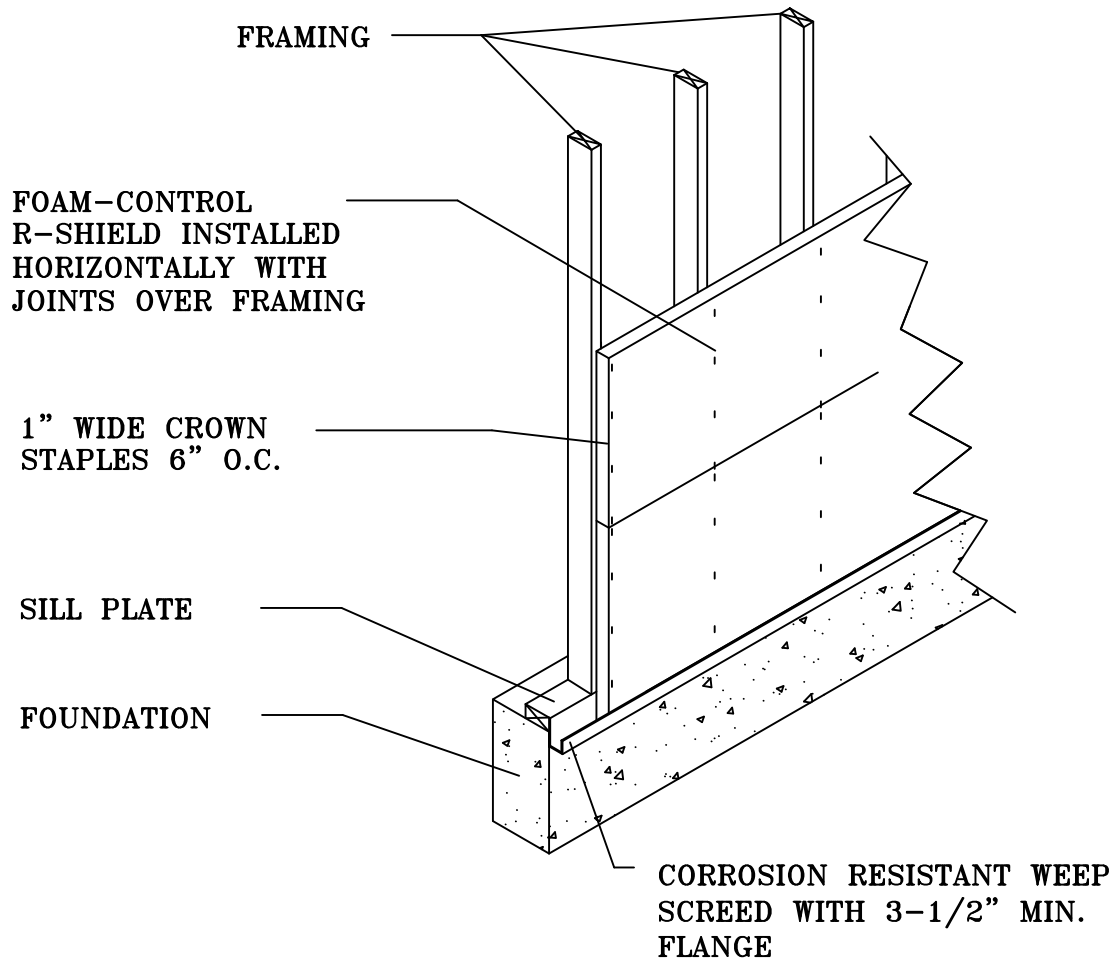
WRB-101.1



REV:	DATE:
1	01/18

**Foam-Control R-SHIELD**  
**Vertical Application: Taping of Joints**

**WRB-101.2**

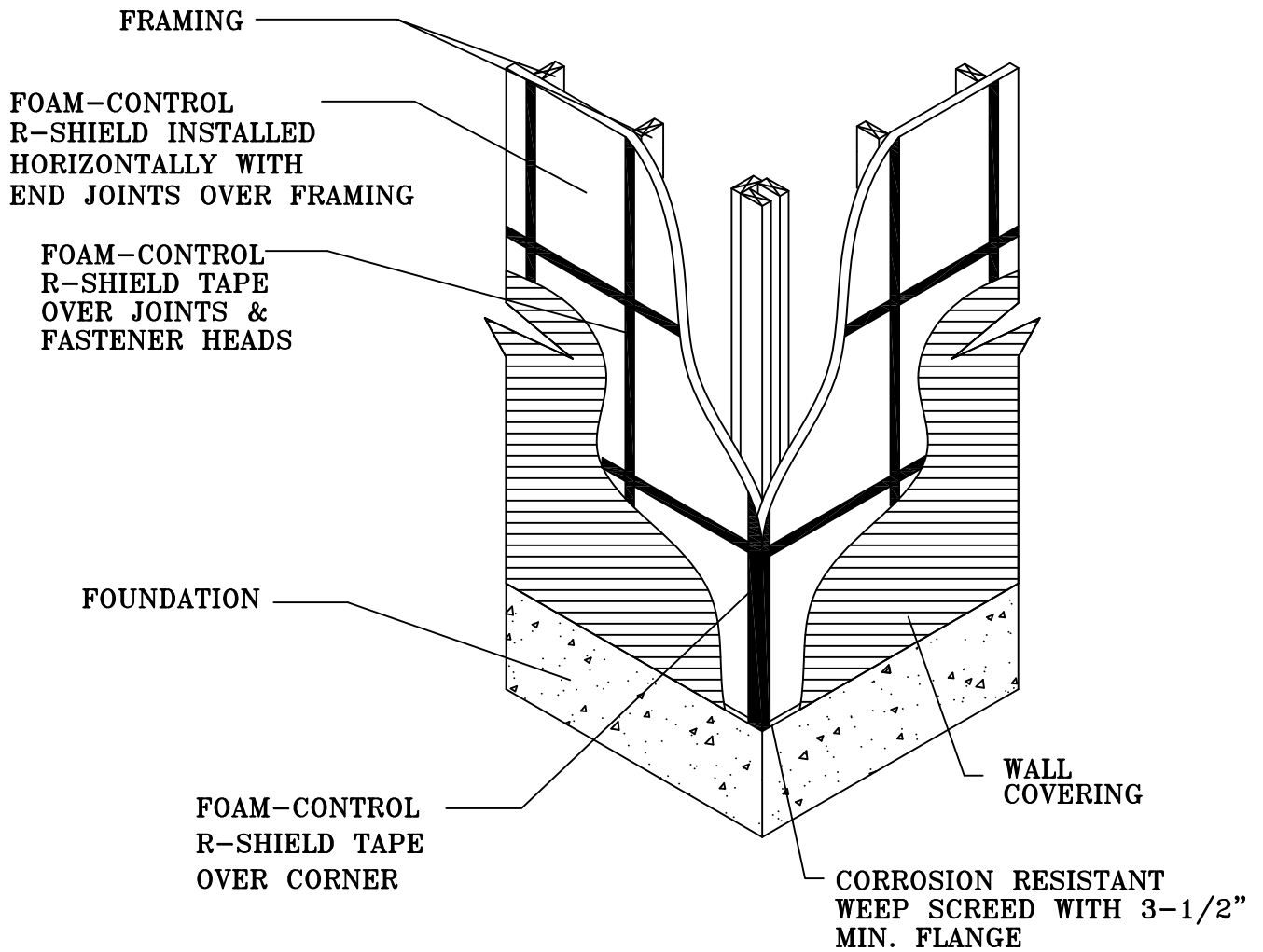


REV:	DATE:
1	01/18

Foam-Control R-SHIELD  
 Horizontal Application: Fastening

WRB-101.3

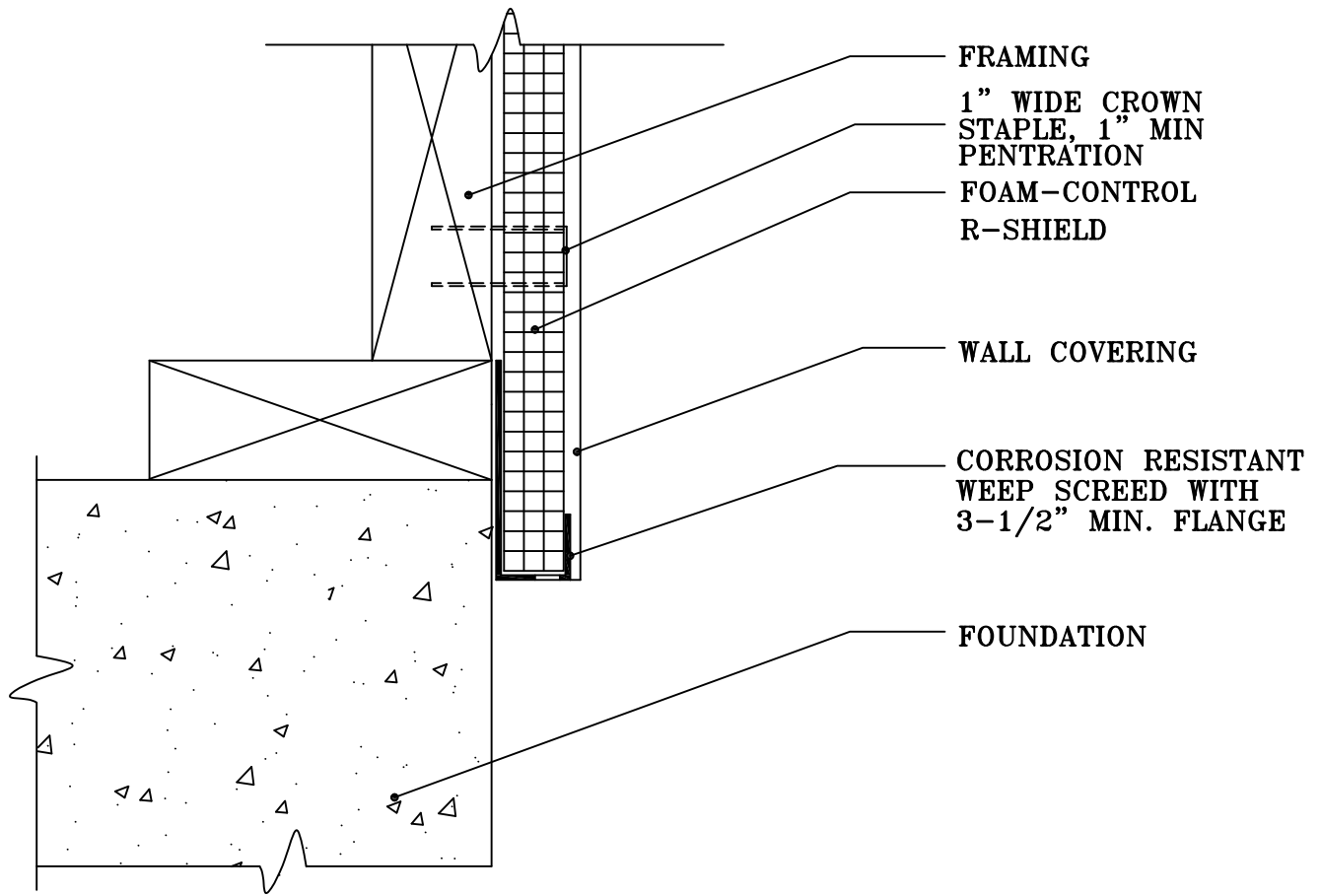




REV:	DATE:
1	01/18

Foam-Control R-SHIELD  
 Horizontal Application: Taping of Joints

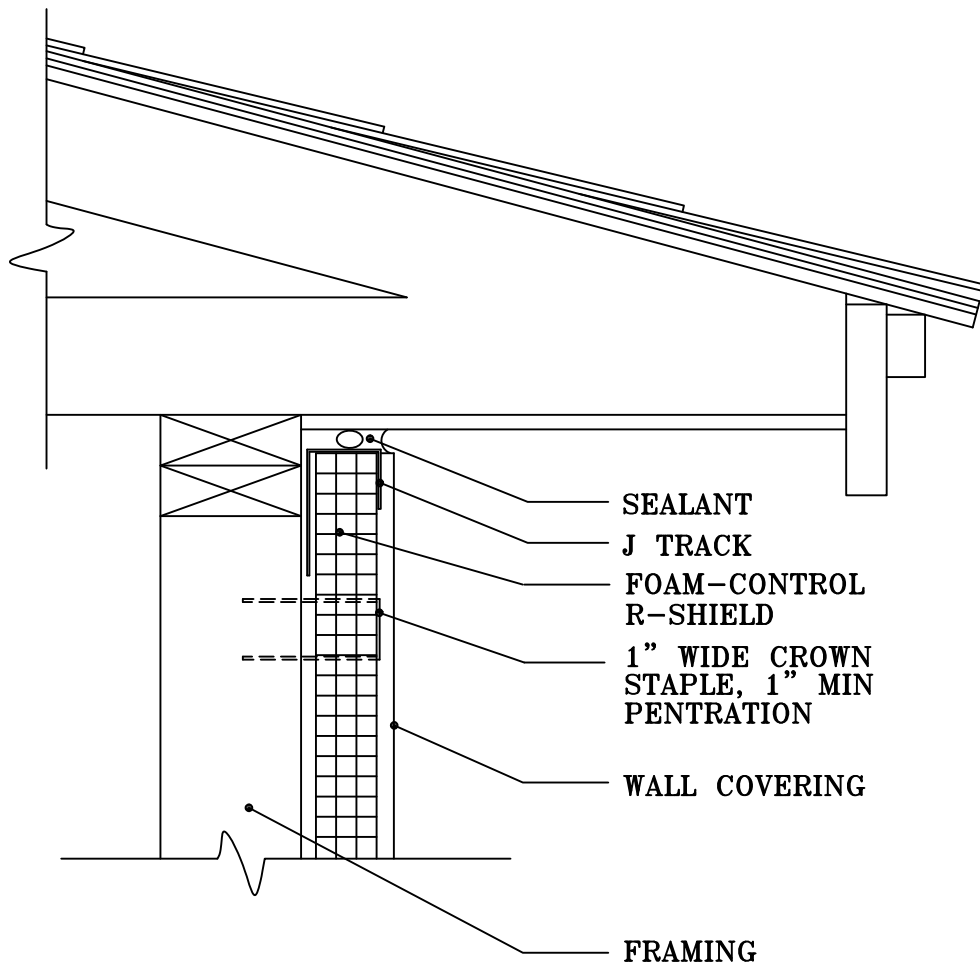
WRB-101.4



REV:	DATE:
1	01/18

**Foam-Control R-SHIELD  
Termination at Foundation**

**WRB-102.1**

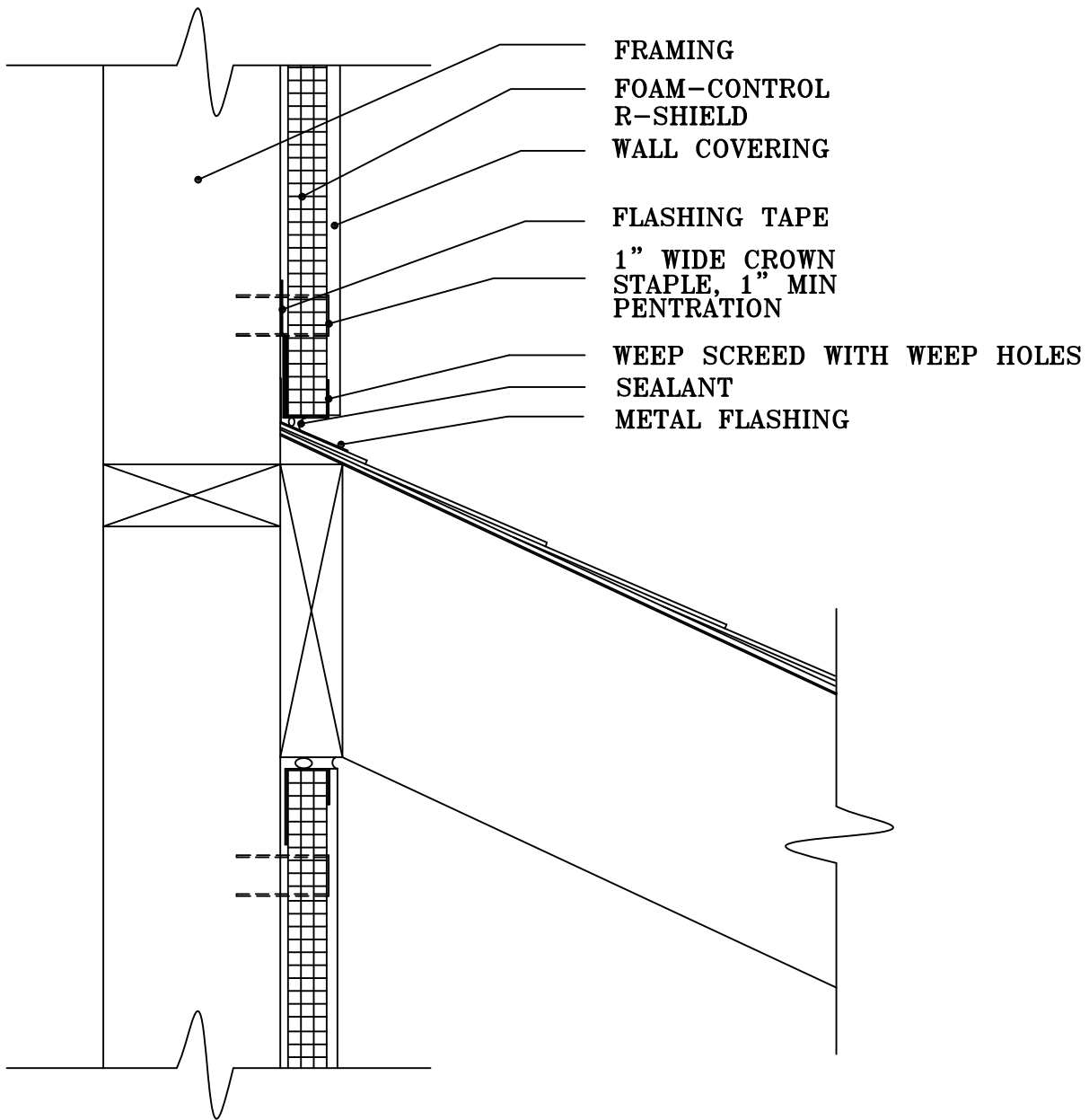


- SEALANT
- J TRACK
- FOAM-CONTROL R-SHIELD
- 1" WIDE CROWN STAPLE, 1" MIN PENTRATION
- WALL COVERING
- FRAMING

REV:	DATE:
1	01/18

**Foam-Control R-SHIELD**  
**Termination at Soffit**

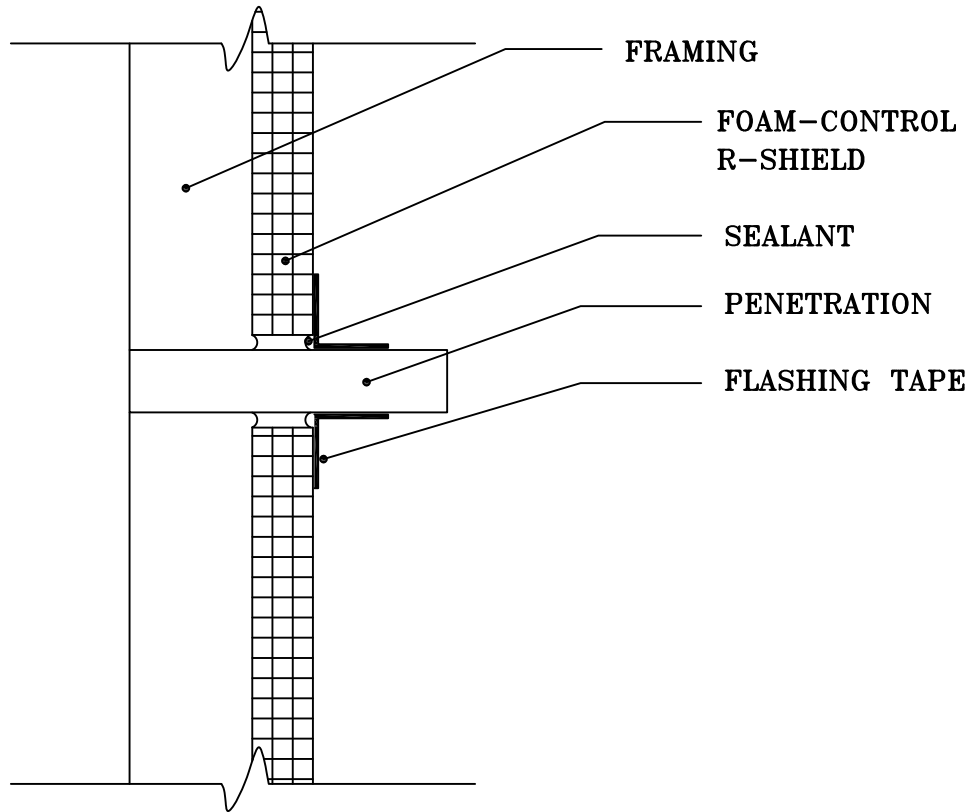
**WRB-102.2**



REV:	DATE:
1	01/18

**Foam-Control R-SHIELD**  
**Wall/Roof Termination**

**WRB-102.3**

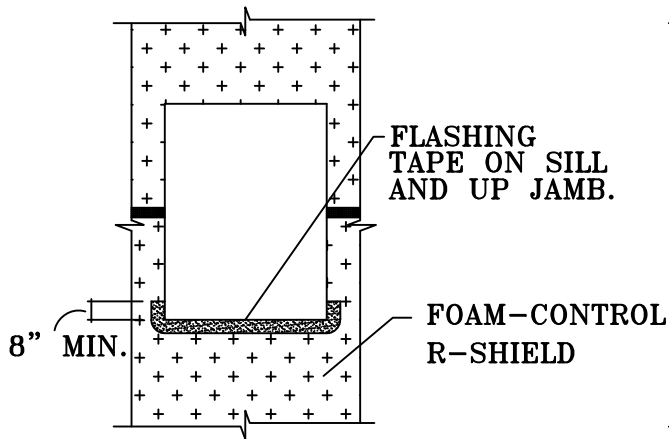


REV:	DATE:
1	01/18

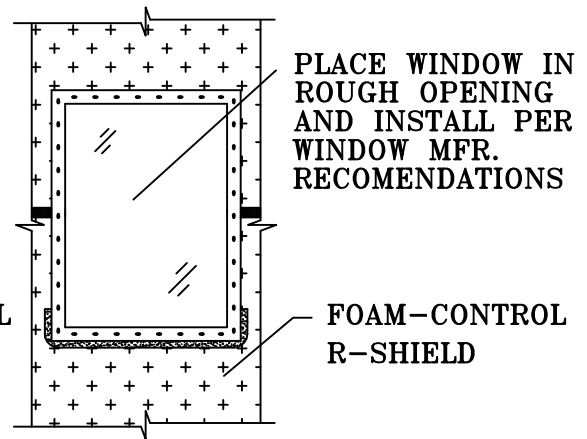
Foam-Control R-SHIELD  
Wall Penetration

WRB-102.4

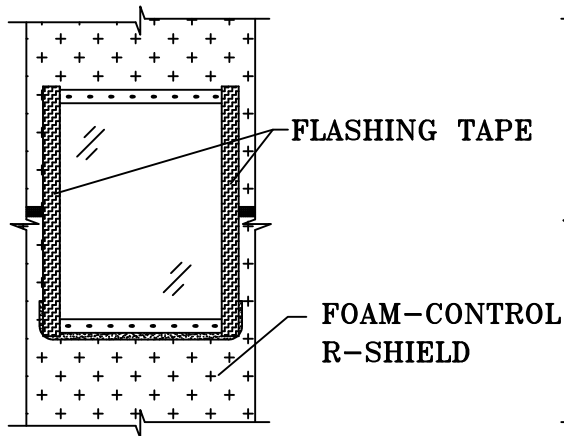
**STEP 1**



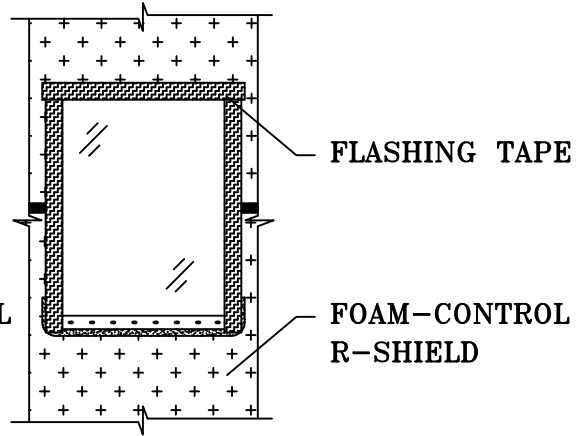
**STEP 2**



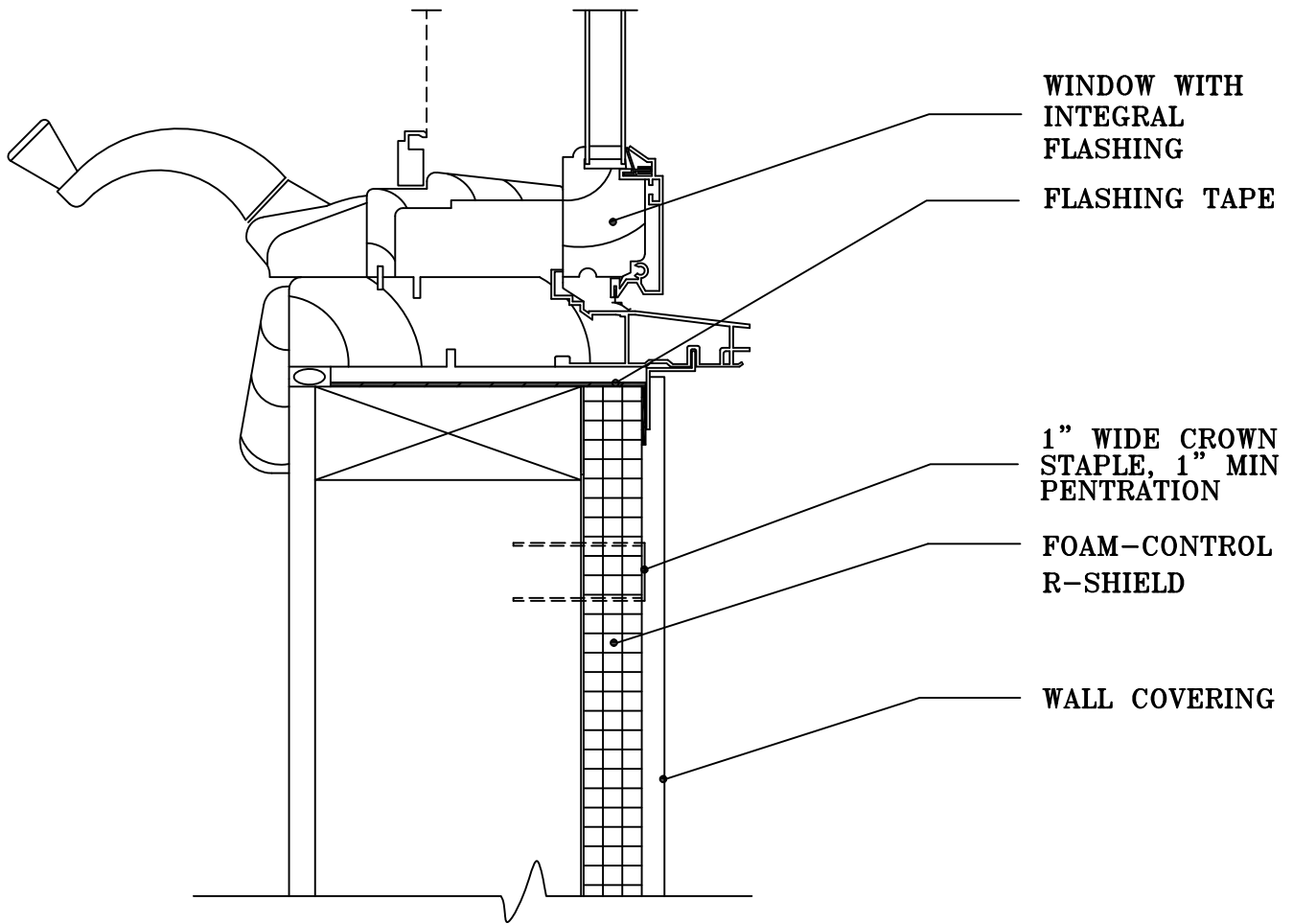
**STEP 3**



**STEP 4**



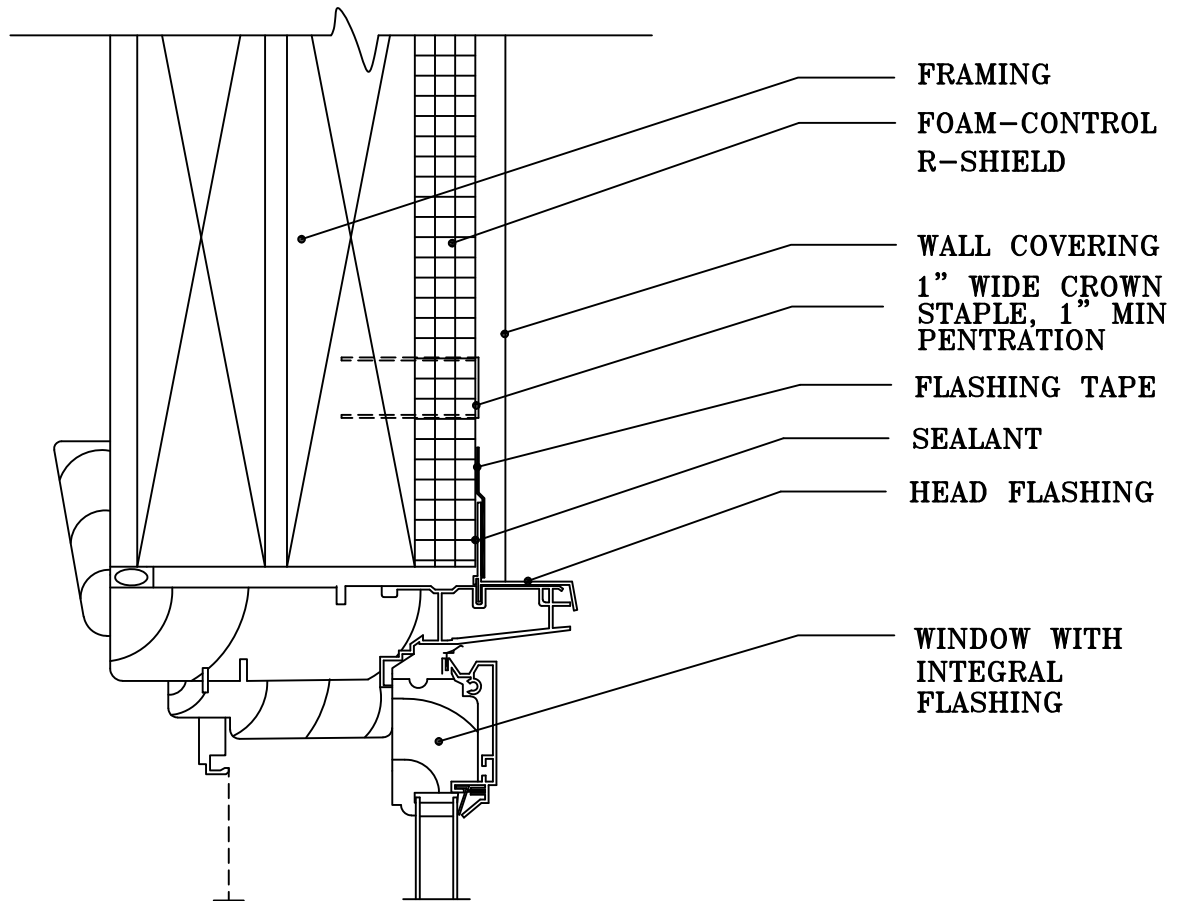
REV:	DATE:
1	01/18



REV:	DATE:
1	01/18

**Foam-Control R-SHIELD**  
**Window Sill**

**WRB-103.2**

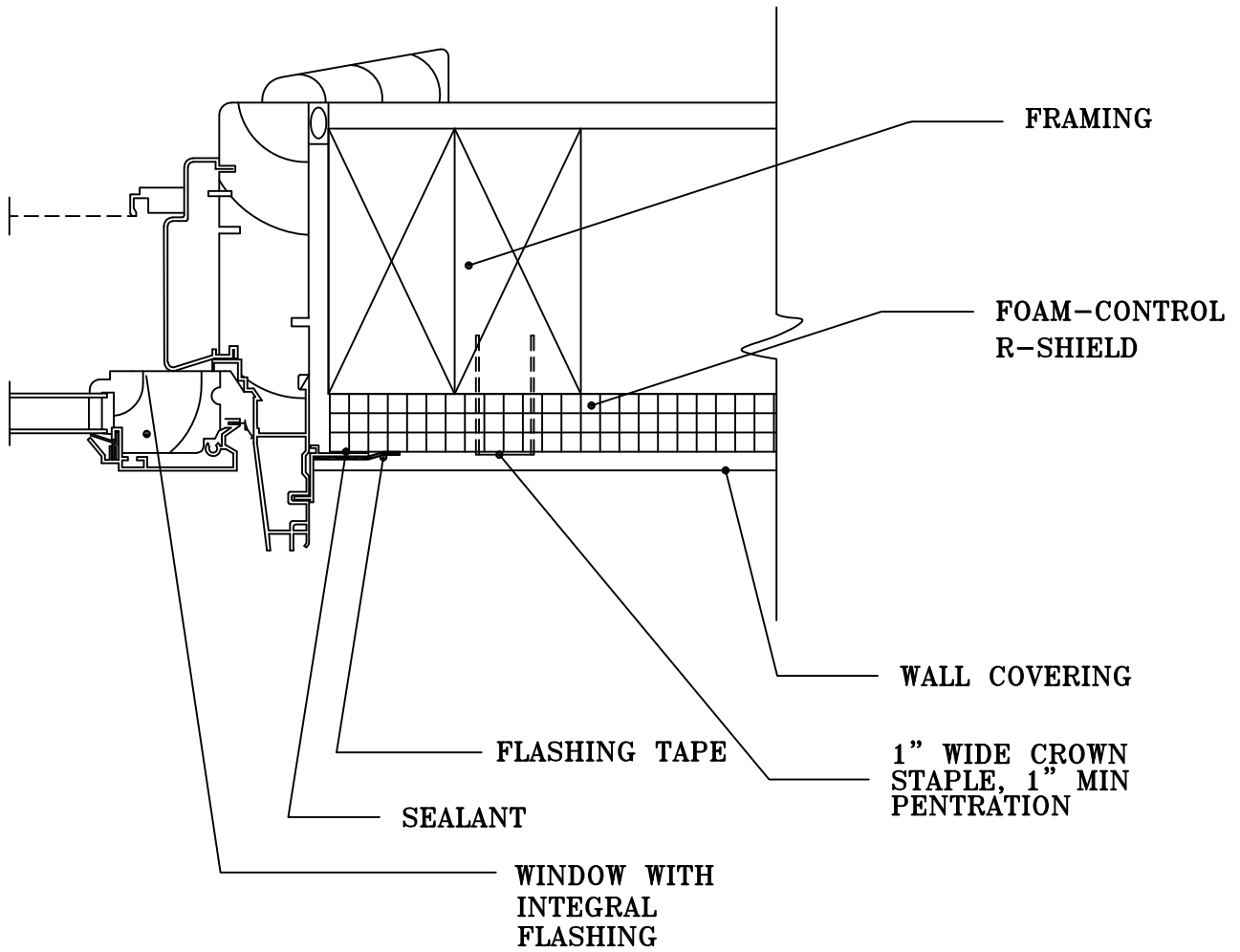


REV:	DATE:
1	01/18

Foam-Control R-SHIELD  
Window Head

WRB-103.3

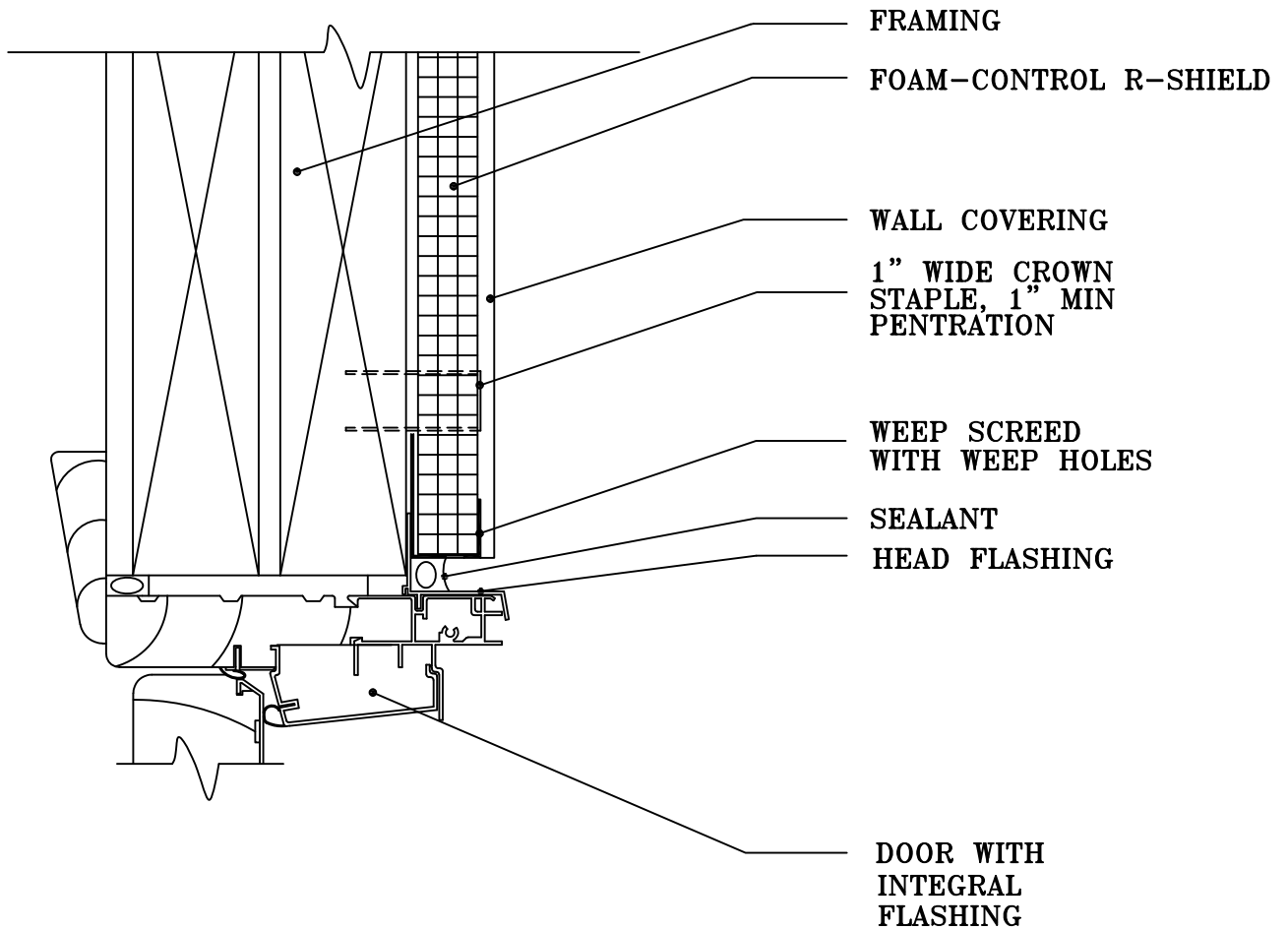




REV:	DATE:
1	01/18

Foam-Control R-SHIELD  
Window Jamb

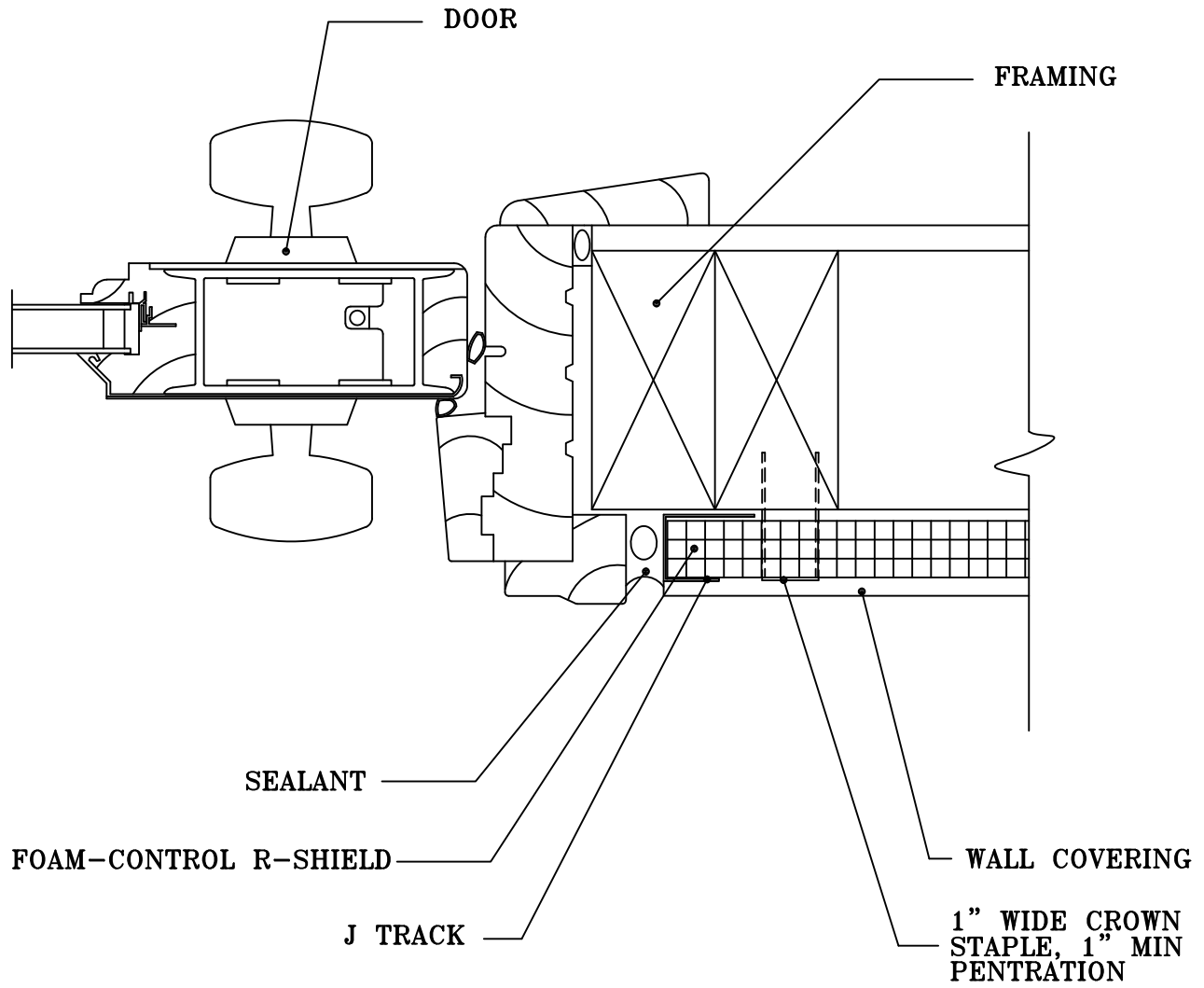
WRB-103.4



REV:	DATE:
1	01/18

Foam-Control R-SHIELD  
Door Head

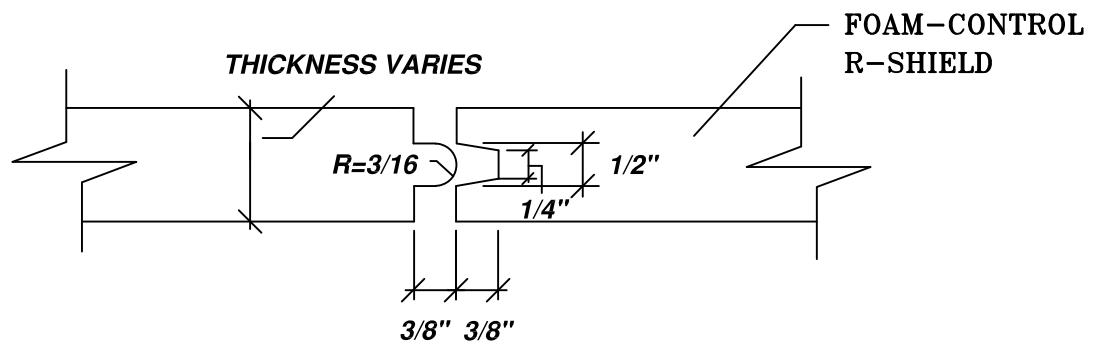
WRB-104.1



REV:	DATE:
1	01/18

**Foam-Control R-SHIELD**  
**Door Jamb**

**WRB-104.2**



REV:	DATE:
1	01/18

Foam-Control R-SHIELD  
T&G Joint

WRB-105.1

## Product Availability and Support.

Foam-Control R-SHIELD is supported by a team of experts who work with you to answer your questions, offer solutions, and do everything they can to make sure your project goes smoothly and ends successfully.

## Ready to take control? Start here.

If you're ready to have Foam-Control contribute to your next project, just contact your nearest Foam-Control R-SHIELD manufacturer and Technical Sales Representative. We will be happy to give you design consultation, information about Foam-Control products, pricing, and answers to all of your questions.



## MOLDED PRODUCTS

A Division of Atlas Roofing Corporation

*For further information contact us:*

*Phone: (800) 277-0967*

*[www.atlasfoamcontrol.com](http://www.atlasfoamcontrol.com)*



Foam-Control products are manufactured by AFM Corporation licensees.

Copyright © 2019 AFM Corporation. All rights reserved. Printed in USA. Foam-Control is a registered trademark of AFM Corporation, Lakeville, MN. The Foam-Control R-Shield logo is a trademark of AFM Corporation, Lakeville, MN.

UL logo is a registered trademark of UL LLC. USGBC logo is a registered trademark of U.S. Green Building Council.

RS03-01/19